

RADIOWAVES



MARCI Newsletter

FROM THE PRESIDENT: As all of you undoubtedly know by now there will be a MARCI General Membership Meeting Tuesday August 3rd. I have had some trepidation as to whether this meeting should be conducted in the currently planned 'live' format. This is due to the alarming increase in reported cases of Covid 19 with its *highly contagious delta variant*.

As a result of a survey that was emailed to you last month, we were to resume LIVE meetings at the Bible Baptist Church (2113 57th St E, Bradenton, FL 34208) where we have normally conducted them. Since the survey last month the dangers from the Covid 19 appear to have increased dramatically. The survey results were tabulated and I think we were all glad to be hearing that we might be returning to 'some normalcy'. Whatever your feelings you expressed to the survey, I feel it is incumbent upon me (and the other members of the BOD for that matter) to do my/our best and express concern for your health and safety. I feel I/we have done a good job of that to this point. Based on my personal feelings on the virus (since we lost at least two members over the last year as a result of the virus) over the past several days I've come close to postponing live meetings again until further notice and would therefore continue to stream them via

ZOOM. To avoid this I am asking that all who will make the PERSONAL CHOICE to attend live meetings follow the latest CDC guidelines and wear a mask. This is and includes everyone, whether or not you have had your vaccination shot(s) or not. As all of you know there are differing opinions as to whether the masks are a help, are effective, etc. However, following the latest CDC guidelines on the subject I feel is the least I can do and to ask of you.

It is noteworthy, that this meeting on August 3rd will also be streamed via ZOOM for those members that are out of the area on vacation or wish to avoid the live meeting environment at this time. However, due to what is required to produce this effort from the meeting location, we will not make a regular practice of streaming live meetings via ZOOM.

The next VE Session is slated for Saturday August 21st at The Church of Bradenton located at 2520 43rd St. West in Bradenton. The FCC will soon (if they have not already) institute new fees for licenses, upgrades, and vanity call requests. Might be a good idea for you or that friend who was thinking about getting his/her ham license OR that plans to upgrade to 'get cracking'.

I hope to see all of you on Tuesday night August 3rd for our first live General Membership Meeting in over a year. Please bring your mask. Until then, stay cool, take care all, and PLEASE...tell someone that you love them.

FROM THE EDITOR: August is here and if things hold out we will be back to in-person meetings with this month. The increase in Covid infections due to the “Delta” variant may cause some changes in that plan, however. I would hope that everyone in the club is now fully vaccinated which offers some protection against this new and more virulent form of the virus. If you have not been fully vaccinated, I would strongly suggest staying home.

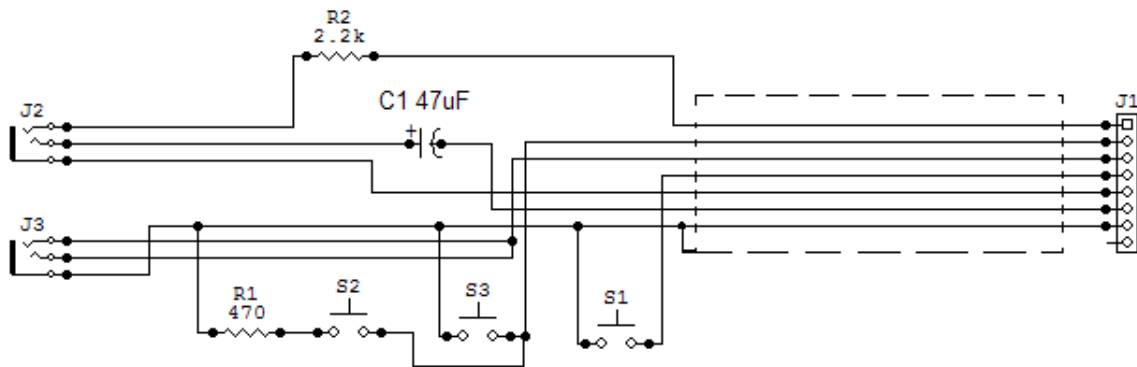
On another note, I am proud to announce that we have a new Librarian. Brian Biery, N4BB has agreed to take possession of the books and he plans on picking them up before the end of the month

I am also still waiting for pictures of your radio room. It does not matter how equipped it is, big or small, we would like to feature a different club member every month but so far the response is non-existent except for a few members that have already been featured in past issues. Come on people, I cannot imagine that adult members are that shy. Send me photos and or articles to put into the next issue of Radiowaves.

Another item of note is “go-kits”. The hurricane season is in full swing and while we have only had one named storm come through our area and it was almost a non-event at that, our luck could run out at any time. There are plenty of web sites to go to for lists of necessary items for a ham radio go kit. You probably have everything you need already in your abode. Built that kit now so you do not have to waste vital time creating one at the last minute.

73

A PC HEADSET ADAPTOR FOR THE IC-706 (AMONG OTHERS)



J1 - RJ-45 to IC-706MkII G

J2 - To Microphone 1/8" Stereo

J3 - To Phones 1/8" Stereo

S1 - PTT Mom. SPST

S2 - Down Mom. SPST

S3 - Up Mom. SPST

Connect Cable Shield to Pin 7 at enclosure end.

Use inexpensive PC headset, adjust Mic Gain in 706 to suit.

The above circuit diagram details a neat little adaptor which permits the use of inexpensive PC style headsets with modern radios. This particular circuit is set up for the Icom IC-706 Mk II G, but it can be wired for almost any brand of transceiver that uses an electret mic element. I housed the components in an enclosure made from a plastic shallow electrical box obtained from the local home improvement store. The cover can be any blank cover plate from the same source. The momentary push button switches are stock Radio Shack parts, pick the style you like for your version. The 1/8" stereo jacks are also available at Radio Shack, as are the resistors, capacitor, and the Cat 5 cable used to connect to the radio. Note that Cat 5 cables come in a variety of pinouts. Make sure you follow the pin numbering for your radio and verify the color code used for the particular cable used. You can use shield braid from an old piece of RG-8 coax to provide a telescopic shield for the mic cable. I found it unnecessary to do so in my QTH. As they say, "your mileage may vary". I found that no adjustment of the mic gain was necessary with the particular headset I used, again "your mileage may vary".

The audio quality reports from contacts made with the adaptor and headset in use have been uniformly good. The savings incurred by the use of an inexpensive headset were not even dented by the low cost of the adaptor. I did paint and label the adaptor to conceal its humble beginnings, you choose your color and labeling style as desired.

Keep on building, it's one of the things that makes Amateur Radio special!

QST AUG. 2021

T X T T R A N S C E I V E R R W Z
M B M M R K Y M R V H G J C H M Z
G A Z M M O N I U D R A F H Y D Q
Q T E F M K L S A M E R I T R O N
Y B K B L W P L S Q H T I D D D K
A J R T M E Z N A T L U N B D J C
R G D I C A O P N C N R P C C M T
R T N I D I E E E E I T K I N O Q
A Q A C T G V R G L I T R B T R I
T L K U M E E N D N E C R Q M S N
O Y L G D R I C C B U C M E G E T
P O J M L J G A O I N T R R V H U
S J M D Y T N K T M M Z T A M Z I
T T A M R B D S K P Z Y R R F G T
O P H Z D I S C O V E R Y Z N T I
H A M R A D I O O U T L E T Q T V
Q M G R R R E W O T J Z K T H N E

www.WordSearchMaker.com

AMERITRON	ELECRAFT	MORSE
ARDUINO	EVENT	SOLUTIONS
ARRAY	HAM	SPECIAL
BRIDGECOM	HAMRADIOOUTLET	TINCAN
CIRCUITS	HOTSPOT	TOWER
DISCOVERY	INGENUITY	TRANSCIVER
DREAM BEAM	INTUITIVE	VERTICAL

FOR SALE:

Offer to build: Custom extension cables for any remote-able radio such as the Yaesu FTM-300, 350 etc.

PowerPole Power Distribution Blocks in 4+1, 6+1, and 8+1 sizes \$10, \$15, \$20 each respectively Can custom build to suit.

IN ADDITION: I have more parts and components than I will ever use, so if you need something, a transistor, a plug, a jack, etc etc. call me first, I will give you a great price (as in no charge).

Call Geoff at 941-447-8579 (cell) or 941-752-3696 (home)

From Bill, N9US:



The AEA model VSB-70 is a Fast-Scan Television (FSTV) transceiver that operates on the amateur 420 to 440MHz band. The transmitter features two local oscillator crystal-controlled channels and an output of one watt PEP on sync peaks. Receive operation can transceive or use variable tuning. In transmit, baseband NTSC video and audio are converted to Vestigial Sideband (VSB) video with the FM audio subcarrier in the 70 cm band. This is the same format as used by analog broadcast television. Video cameras, Camcorders and video cassette recorders with video and audio output jacks can be used to generate the baseband video and audio for transmission. A separate front panel microphone jack may also be used for audio input. Either color or black and white video may be used. Television channel 3 or 4 may be used to monitor your broadcast signal. If you live in an area where channel 3 is used by a commercial television station, your VSB-70 must be configured for channel 4, and vice versa. A standard color or black and white television is used for reception. The same television is used for monitoring your transmission. The VSB-70 uses a GaAs FET preamplifier which provides for a system noise figure of less than 1.5dB. Either crystal-controlled or VFO receive tuning may be selected. In addition to the video source and television set, a 13.6 volt regulated power supply and 70cm antenna are necessary. AEA also offers the RLA-70 linear amplifier

with MPS-100 power supply and the 430-16 antenna to complete your ATV station. To transmit, an FCC amateur Technician or higher-class license is required.

Bought for \$309 from AEA in 1992. Works great! Best Offer



Ameritron 5 Way Antenna Switch RCS-8V

RCS-8V HF to VHF/UHF Remote Coax Switch

Ameritron's Remote Coax Switch lets you remotely switch up to five separate antennas using one inexpensive small control line (like standard telephone wire). Eliminate a tangle of troublesome coax and have a simple and neat installation with just a single feed line.

The **RCS-8V** consists of two units, the weatherproof switching box that mounts on your tower or mast and the control unit that's placed at your operating station.

VSWR is less than 1.2 from DC to 250 MHz and less than 0.1 dB loss at 150 MHz, great for the HF/VHF/UHF operator.

It handles over 5 kW below 30 MHz and 1 kWatt at 150 MHz. You can ground unused positions or leave them open.

The indoor control unit is all metal to prevent RFI and TVI. It also has LEDs to indicate the antenna you've selected. A Lexan scratch-proof panel has a markable surface for labeling your antenna positions.

RCS-8V operates from a 120 VAC power source. Use any 6 conductor control line (not supplied) and allows safe operation with 14V control voltage.

Specifications

Number of antennas positions: 5

Loss at 150 MHz: Less than .1dB

VSWR: under 1.2 to 1 from DC to 250 MHz.

Impedance: 50 ohms

-
- Power Capability: > 5kW Watts below 30 MHz, 1kW at 150MHz.
- Antenna select time: 50 ms.
- Power requirements: 120 VAC @100mA, AC adapter supplied
- Connectors: Teflon® SO-239
- Control Box: 6" x 6 1/8" x 2 1/4"
- Switch Box: 5 3/8" x 7" x 3"
- **This one modified to add remote-controlled relay to permit switching between unactivated ports to ground or floating. Makes big difference (sometimes) on received noise level. Came off my tower in Illinois**
- **Current MFJ price \$229.95 Best Offer**

For Sale: IC-745 radio
 Astron RS-35M power supply
 SG 231 Smart tuner
 RG213/U Coax cable, approximately 60'
 Total for everything \$350
 Contact rmhooie@yahoo.com

Icom IC-706MKIIG, Standard Mic & DTMF Mic, Filters for SSB & CW, mounting bracket \$500

Contact Jim email: KD5FQM@arrl.net

CLUB MEETING: Hopefully to be a live in person meeting at the church on Morgan Johnson Road at 7 PM on August 3rd, 2021 subject to change to Zoom mtg. if necc. (See the President's message on Pages 1 and 2 of this issue.)

Monthly Board Meeting TBA (may be replaced with a teleconference)

Monthly ARES Meeting TBA (may be replaced with a teleconference)

Club and Other Nets:

MARCI Info Net	Sunday 7:00 PM	146.820 – 100 Hz.
ARES Net	Monday 7:00PM	146.820 - 100 Hz.
MARCI Traders Net	Wednesday 7:30 PM	146.820 –100 Hz
David Flail, W3IK is the NCS for the Traders Net		
Manatee Skywarn Net	Thursday 8:00 PM	146.820 - 100 Hz.
WCF Eagle Net (Local NTS Net) Nightly	8:30PM	145.43 – 100Hz
WCF Technical Net (tech assistance, ideas)	Thurs 9:00PM	145.43 – 100Hz

PLEASE PARTICIPATE IN ALL THE NETS ANY TIME YOU CAN. The nets on Monday (146.820) and Thursday (146.820) are logged for the Manatee County Emergency Management and create “bill-able” hours of Volunteer Participation which often results in County provided equipment for ARES. And DON’T FORGET about the Regional Nets on NI4CE on 145.430 and 442.950. The Eagle Net, the NTS Traffic Net is on every night at 8:30 PM. The regional Skywarn Net is on Tuesday at 9 PM, The Technical Net is on Every Thursday at 9 PM or immediately after the end of the Eagle Net should that net run a little over. Our Club Net on Sunday night is recently very poorly attended. Our club has over 60 members. Surely at least 15 Or 20 of you can take 20 minutes out of your Sunday evening to check into your own club net! The most common complaint I hear about repeaters of all sorts, local and regional, is that *“there’s no one on”*. The old saying about *“if you don’t use it you will lose it”* was never truer than now.