

RADIOWAVES



MARCI Newsletter

FROM THE PRESIDENT: A couple of weeks ago I made a trip to Orlando for the ORLANDO HAMFEST. This event had been cancelled last year due to the pandemic. For those who have not been to the Orlando Hamfest, it really is quite an event for hams. I believe it is one of the largest such events in the country now. The upcoming annual fest in Xenia, Ohio (formerly Dayton) May 20th-22nd is no doubt larger but that is such a long way these days to travel. And bringing new found treasures home via any method other than DRIVING is prohibitively expensive. I found again this year, the Orlando affair was very well managed and equally well attended at least on the Saturday I was there. I found that the staff was again extremely friendly and helpful. And when I needed some assistance carrying some lengthy weak signal vhf and microwave antennas back to my truck, one of the staffers was all too eager to help, a model for any and all Hamfests truly.

While on the subject of Hamfests, our MARCIFEST is scheduled for October 15th, 2022. We will have it at the same location as in 2021 and hopefully will have an even greater turnout. The ARRL will be noting it in QST Magazine as a courtesy and a reminder. Mark the date on your calendars! Also, this year, there will be VE exams given at MARCIFEST.

Speaking of dates, don't forget to set the clocks forward an hour for Daylight Savings Time on Sunday morning, March 13th. Sorry about the hour loss of sleep that night Though this is our March issue of RADIOWAVES, it is not too early to remind you the membership that in a few months (MAY) we will be electing the

officers of the Manatee Amateur Radio Club. The terms for each executive of the club are but one year.

We have time before you will choose. Consider who you would like to see serve on the Board of Directors. Perhaps one or more of you would like to contribute a little of your time. I have been notified that Tony Vasile, KB9A will be stepping down as club secretary. Obviously that is one important position that we must fill. Tony will continue as our Sunday night net controller but due to time constraints in his new career which are quite demanding, he cannot remain on the BOD. If any of you would like to discuss what any of the positions are like or what they entail, please contact me directly so that we can talk about your interest. The board seats which the membership will cast their vote for are president, vice president, secretary, and treasurer. I expect that our repeater trustee Ed Skalecki, NI4MX will remain. However, Ed is also a board member whose seat is also set to expire in May as do the others mentioned. In any event, give it some thought and join the executives of MARCI to work at making MARCI the best that we can be. Don't forget, the ZOOM link to the GM Meetings is on the MARCI Website (<https://www.manatee-arc.org/>). Also, we are always looking out for new ideas for programs or presentations for your enjoyment during our meetings. This Tuesday TIM DUFFY, K3LR from DX Engineering has a presentation on GROUNDING AND BONDING YOUR STATION. This is a very timely topic for this time of year. I hope to see you all via ZOOM Tuesday night March 1st at 7:00pm. As always, stay safe, take care all, and please tell someone that you love them.

Mike Ryan, K4CVL mryan001@tampabay.rr.com



FROM THE EDITOR: This month we have a few additions to catch up on. Believe it or not we still have pictures of some very important prize winners from the Zoom Christmas Party. First is:



Cecil Fox KF4CSM won the annual MARCI Ham of The Year Award for 2021. This photo is of Cecil with his trophy that displays his name and call sign on a plaque. Congratulations Cecil!



Next is: Here is the winner of the Grand Prize FTM – 857. Barbara Cabral – KB4DWR. Also at the time this picture was taken she was our Newest Extra Class.Licensee. Congratulations, Barbara!!

Your editor has harped long and loud about being prepared for Hurricane season so I am going to drop that topic until nearer to June. Let me just point out that now, in February and March and even April is the ideal time to work on antennas, masting, towers etc. The weather is pretty nice and it is easy to get the spare parts you need from your favorite supplier.

An Inexpensive Source of Alternative Power
For Your Ham Radio Station
By
Geoff Haines, N1GY

Does your amateur radio station have emergency power? This is a question I have seen many times in various surveys or questionnaires in ham radio. Certain groups, notably ARES/RACES or SKYWARN ask whether you have emergency power or not. Emergency power can take a number of forms. If you only operate mobile or an HT, your operation does not depend on the electric companies 110 volt AC. Therefore you have Emergency Power. If you have access to a gas-powered generator and fuel to run it then you do have Emergency Power. If you have a reliable source of 12-volt DC to run your radios, you also have Emergency Power.

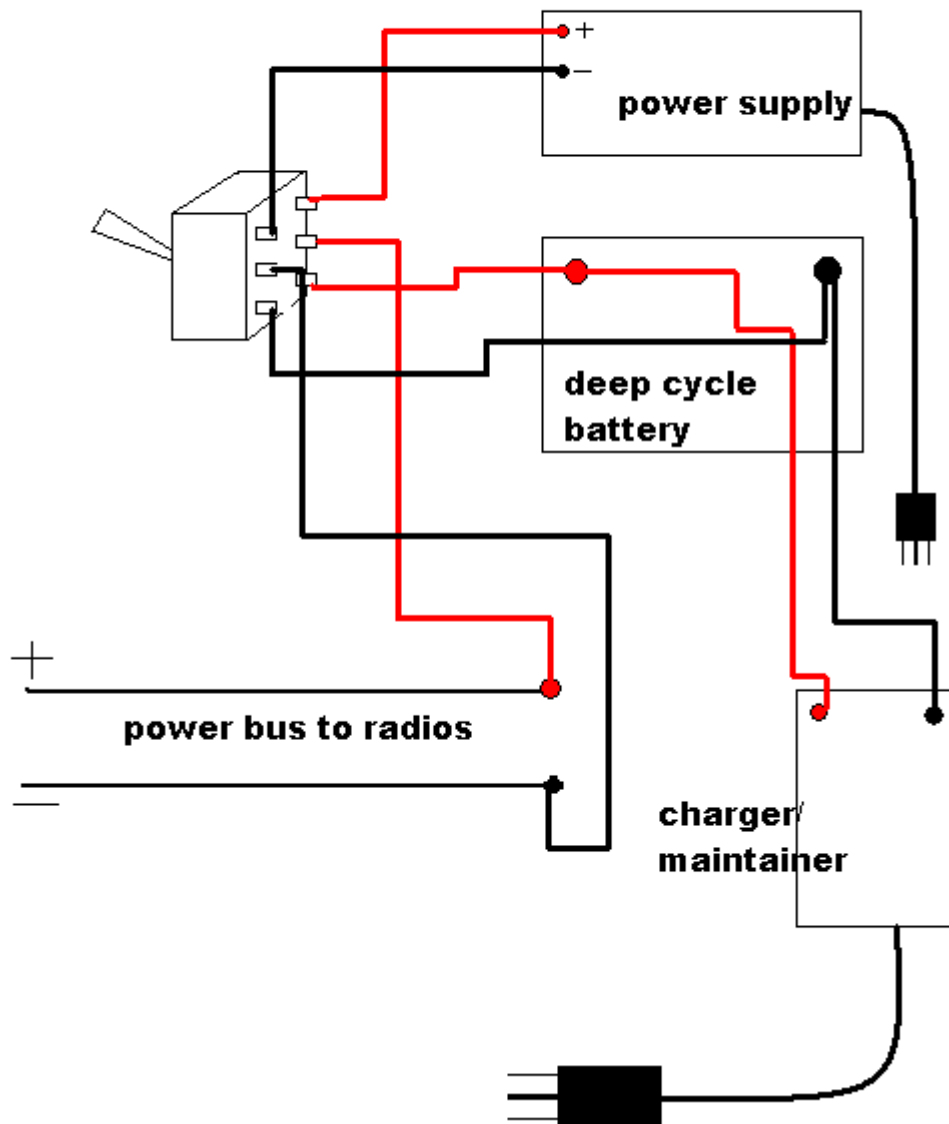
For those of us who do have a Base Station, at home or elsewhere, and who normally use an AC power supply to run our radios, if we do not have an alternate source of power to the radio station, then we do NOT have Emergency Power. The problems with a generator are that it is expensive, noisy, sometimes dangerous, due to the volatility of the fuel and usually heavy. My solution to this dilemma was to use a system I found on the Internet. It is very simple, very reliable, and for a simple home station has plenty of capacity for at least 24-48 hrs of intermittent operation.

The system consists of one or more 12 volt Deep-Cycle Marine Batteries, maintained at full charge by a 1.5 amp Charger/Maintainer commercially available at Sears, Wal-Mart, and others. Basically, I ran 10-gauge power zip-line; you know the red and black paired wire we have been using for eons, from the battery terminals to a Double Pole-Double Throw- Center Off (DPDT Center OFF) heavy-duty switch. This switch is easily available at Radio Shack or any auto parts store. The wire pair from the battery goes to one pair of connections on one side of the switch. Another wire pair comes from the AC power supply terminals to the other side of the switch. More wire pair then goes from the remaining or center connections on the switch to the DC power bus that supplies 12 volt DC to all of my radios, interfaces, tuners and other electronic devices in my shack.

I deliberately did not include 12-volt room lighting or other accessories on the power feed. That would only drain power from the radios when we need it most. I did include a separate battery powered flashlight in the equipment in the Radio Room, and it is tested weekly to ensure that it will be there when I need it.

The charger/maintainer I mentioned earlier is of course plugged into regular AC power and does its job very well without any interference from me. I do check the battery fluid levels about once a month, just to make sure I don't dry it out. In order to prevent any accidental shorts across the battery terminals I bought an inexpensive battery box, same sources as before, and placed the Deep Cycle Battery in it. This covers the terminals and neatens the whole thing up to the point that it can sit under my desk in the Radio Room and my XYL doesn't even complain. I mounted the switch in the Control Panel of my Radio Console. Labels for "BATTERY", "POWER SUPPLY", and "OFF" are as close as your computer or any office type labeler

The upshot of the whole project is that I can now switch from commercial power to emergency power at the flip of a switch. I can also shut everything off the same way if desired. The LED's on the Charger/Maintainer tell me what I need to know about the present state of charge. I don't think I could make it much easier than that. For more capacity, just add more batteries, up to the limit of the charger. These Charger/Maintainers come in a variety of sizes and prices, so as with anything else, the only limit really is the size of your wallet. The simple 1 battery system I built cost less than \$60.00 for everything and those of you with a well-stocked junk-box may well be able to do it for a lot less.



QST FEB 22

D X P E D I T I O N C A K R P M
C Y W V G M K Y M Y N T H Q R N
S Z H R T N R R C T T E E P F K
O D W C X L W L E R K V R M G N
L V Z N Z N E N E P I A G W G D
A L O D I T N P L T L W N C P R
R O L N K A X T C J R O I O X A
X O K T I E T A N Y T R P N V C
P P R T G U G N Z W Y C P T Z L
W R M I F R D E U C G I O R R S
F P R Y K L Q R O O O M T O D Q
R O T A T O R T A C M N T L N T
S A T E L L I T E M R N T L P T
M T R A C K E R J N E O L E P T
J A N A L Y Z E R M K X N R S X
G O I D A R S Q J P J V B R K T

www.WordSearchMaker.com

ACTIVE	DXPEDITION	QSRADIO
ANALYZER	GEOCRON	RIGEXPERT
ANTENNA	LOOP	ROTATOR
ARDUINO	MENTOR	SATELLITE
CONTEST	MICROWAVE	SOLAR
CONTROLLER	MOUNTAIN	TOPPING
CYCLE	QSL CARD	TRACKER

RADIO ROOM OF THE MONTH:



This is the radio operating position of Tim, KO4IHP. Note the assistant on top of the radio.

FOR SALE:

USA MADE

Kings brand Type N R.F. connectors (cont. next page)
for RG 8U , RG 213 ,LMR 400 coax ect.

\$5.00 ea. (5) for \$20.00

CALL or TEXT

941-580-8696

Email @ kalwbe@gmail.com

MFJ 434 Voice Keyer \$125.00

MFJ 945E 1.8-60 mhz mobile tuner (in the box) \$ 100.00

MFJ 949 300 watt Tuner \$65.00

Vibroplex Paddle keyer Serial # 238008 \$ 100.00

Very rare EL-Key Paddle keyer made by Poucel Electronics
only 400-600 made in the late 50"s \$ 150.00

6JF6 Sweep tubes (new) \$25.00 ea (5) for \$100.00 (more on next page)

These items can be viewed on Bradenton-Sarasota Craigslist
under electronics Key Word HAM
TNX, Peter ka1wbe

Quantity 1. Mosley TA-33 3 Element Tri -Band Beam Antenna. 10-15-20
Meter. When original, the cost for one was \$ 780. Manatee County ARES
has 1 of these antennas. They were used until 3 years ago and worked
well. When assembled, the beam is 14' long and the length of the
elements are 27' long. ARES no longer needs them and would like to find
a good home for these antennas They would look nice on your
tower. They are **FREE**, unless you would like to give a volunteer donation
to ARES. We may be able to haul a few miles to your location if needed
Contact Jack Ham WB9KVD at 941-567-6716 or jham58@tampabay.rr.com Please
note, Jack has a new call sign but as I am old and doddering I did not write
it down. The phone number should be the same.

Offer to build: Custom extension cables for any remote-able radio such as the
Yaesu FTM-300, 350 etc.

PowerPole Power Distribution Blocks in 4+1, 6+1, and 8+1 sizes \$10, \$15, \$20
each respectively Can custom build to suit.

IN ADDITION: I have more parts and components than I will ever use, so if you
need something, a transistor, a plug, a jack, etc etc. call me first, I will give
you a great price (as in no charge).

Call Geoff at 941-447-8579 (cell) or 941-752-3696 (home)

FOR SALE

Yaesu FT-101ZD

Technician went over the transceiver about 3 years ago and it was in No. 1 Shape. Radio has
not been operated since. Complete with 2 manuals including schematics. Has digital display.
Complete with microphone and 110VAC power cable. Jack WB9KVD 941-567-6716 A good
buy at \$350.00

Contact Jack – WB9KVD at 941-567-6716 or jham58@tampabay.rr.com

FOR SALE:

Kings Type R,F. connectors for RG 8U, RG213 \$5.00 ea (5) for \$20.00
 MFJ 434 Voice Keyer \$ 100.00
 MFJ 945E 300 watt 1.8-60MHZ mobile tuner (in the Box) \$100.00
 MFJ 962d Versa Tuner III 1.5 K.W. tuner \$200.00
 MFJ 906 6 meter Tuner (300 watt) \$40.00
 Alinco EDX 2 Random Wire tuner 150 watt \$100.00
 Very Rare EL-KEY lever CW keyer (only 400-600 made in the late 60's) \$130.00
 Wouxun FM Dual Band handheld (2 meters and 6 Meters)W/drop in charger \$50.00
 Radioddity DMR GD 77 Dual Band H.T. w/drop in charger, Speaker mike, spare battery
 Original Box and manual \$100.00
 Alinco DJ 596 T Dual Band Handheld with Drop in charger with a Brand new Battery
 Has original Box and Manuals \$90.00 (like new)
 Alinco DJ 175T VHF handheld with Drop in charger with a Brand new Battery
 Has original Box and Manuals \$75.00 (like new)
 Alinco DJ196 VHF Handheld with a Brand new Battery
 Has original Box and Manuals \$65.00 (like new)
 Drake MS-4 Speaker and Power supply \$200.00
 6JF6 Sweep Tubes (new) \$25.00a (5) for \$100.00
 These Items can be viewed on Bradenton-Sarasota Craigslist
 Under Electronics Key Word Ham Radio
 Please CALL or TEXT (941) 580-8696
 TNX Pete, Ka1wbe

CLUB MEETING: This will be a Zoom Meeting on March 1, 2022 Our meetings will be on Zoon until further notice

Monthly Board Meeting TBA (may be replaced with a teleconference)

Monthly ARES Meeting TBA (may be replaced with a teleconference)

Club and Other Nets:

MARCI Info Net	Sunday 7:00 PM	146.820 – 100 Hz.
ARES Net	Monday 7:00PM	146.820 - 100 Hz.
MARCI Traders Net	Wednesday 8:00 PM	146.820 –100 Hz
Manatee Skywarn Net	Thursday 8:00 PM	146.820 - 100 Hz.
WCF Eagle Net (Local NTS Net)	Nightly 8:30PM	145.43 – 100Hz or 442.95+ 100Hz
WCF Technical Net (tech assist.)	Thurs 9:00PM	145.43 – 100Hz or 442.95+ 100Hz

PLEASE PARTICIPATE IN ALL THE NETS ANY TIME YOU CAN. The nets on Monday (146.820) and Thursday (146.820) are logged for the Manatee County Emergency Management and create “bill-able” hours of Volunteer Participation which often results in County provided equipment for ARES. And DON'T FORGET about the Regional Nets on NI4CE on 145.430 and 442.950. The Eagle Net, the NTS Traffic Net is on every night at 8:30 PM. The regional Skywarn Net is on Tuesday at 9 PM, The Technical Net is on Every Thursday at 9 PM or immediately after the end of the Eagle Net should that net run a little over. Our Club Net on Sunday night is recently very poorly attended. Our club has over 60 members. Surely at least 15 or 20 of you can take 20 minutes out of your Sunday evening to check into your own club net! The most common complaint I hear about repeaters of all sorts, local and regional, is that **“there’s no one on”**. The old saying about **“if you don’t use it you will lose it”** was never truer than now.